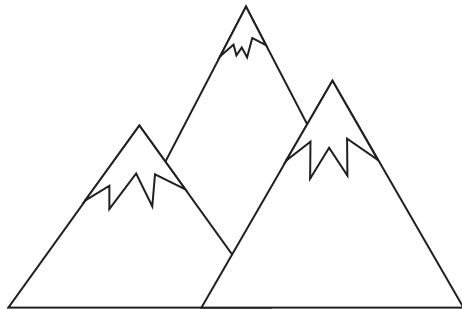
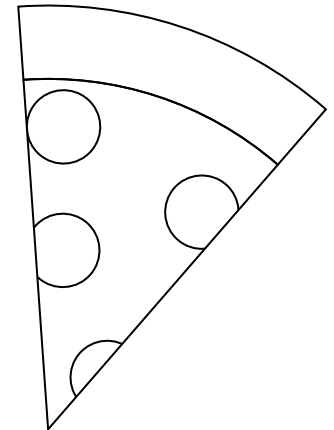
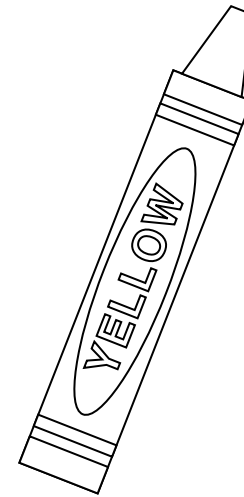
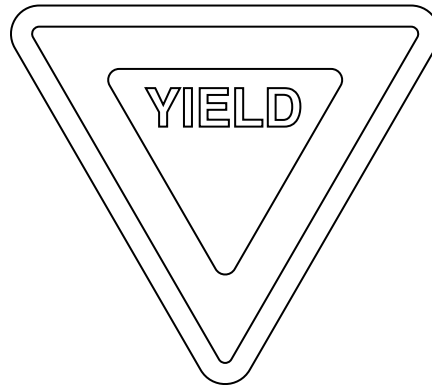
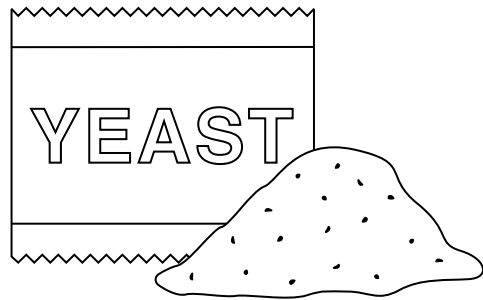
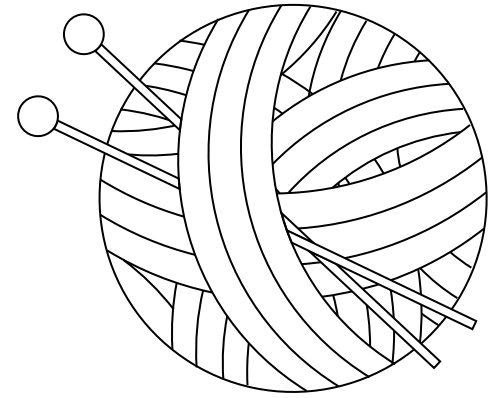
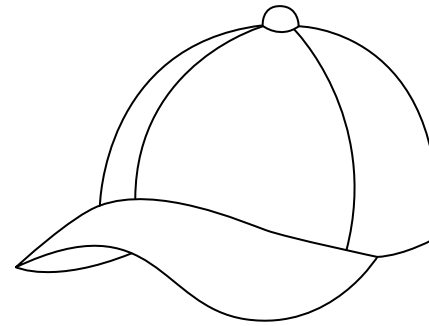
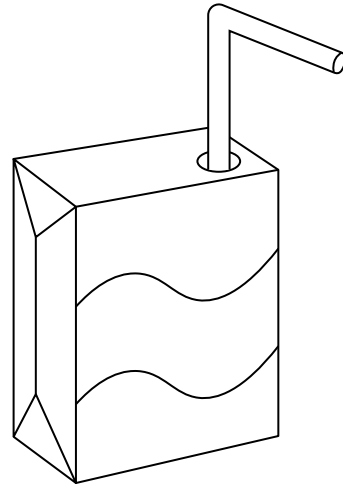
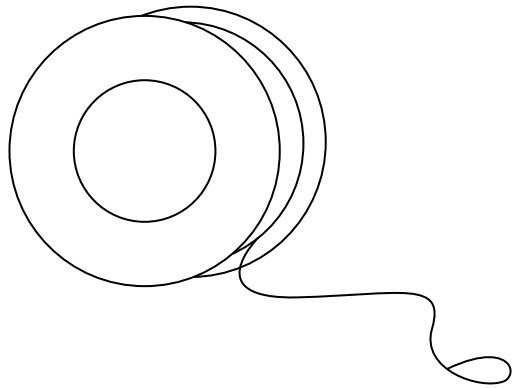


# Fill your toy box with things that start with the letter Y!

Color the things that start with the letter Y. Cut them out, and paste them on the toy box page.



THE LETTER Y  
TOYS