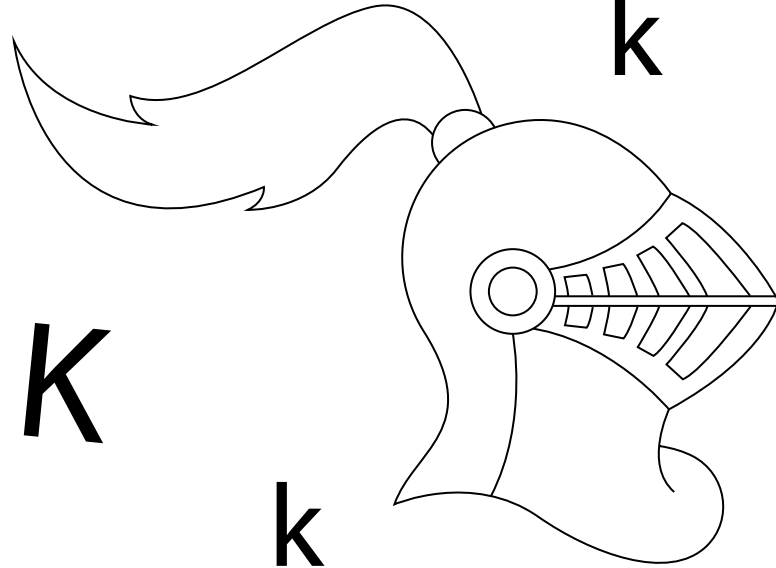


Color the pictures and circle all of the letter K's.

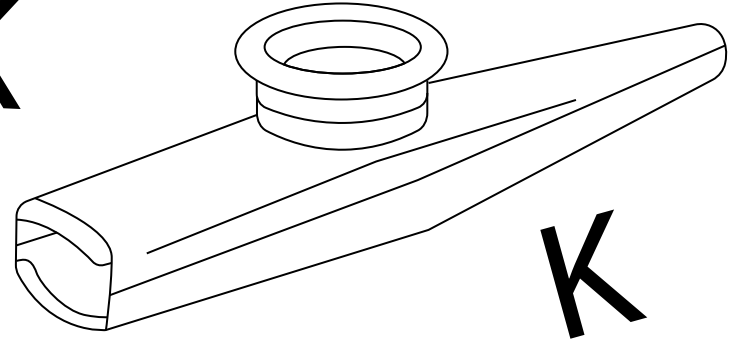
K



k

K

k

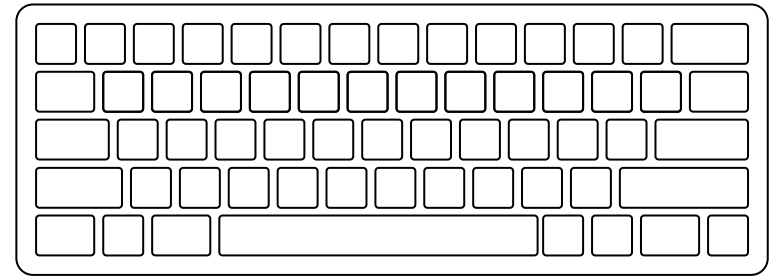


K

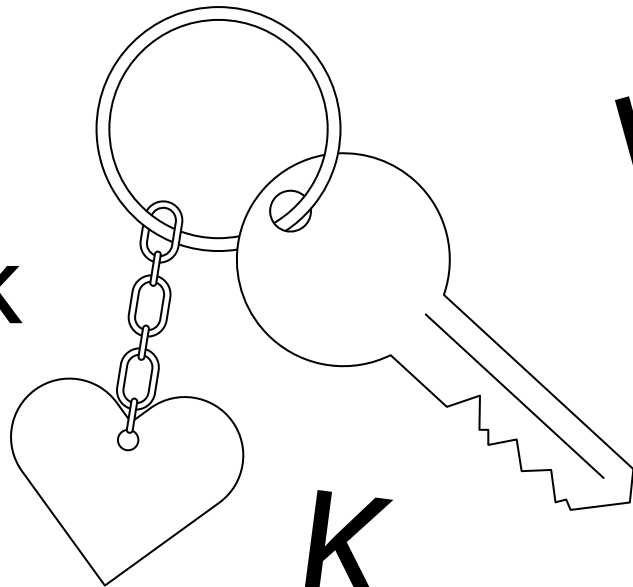
K

k

k



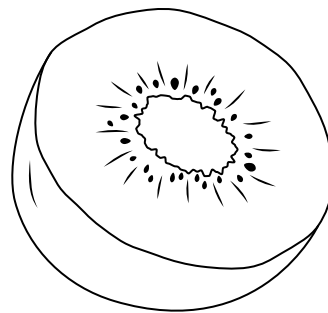
k



K

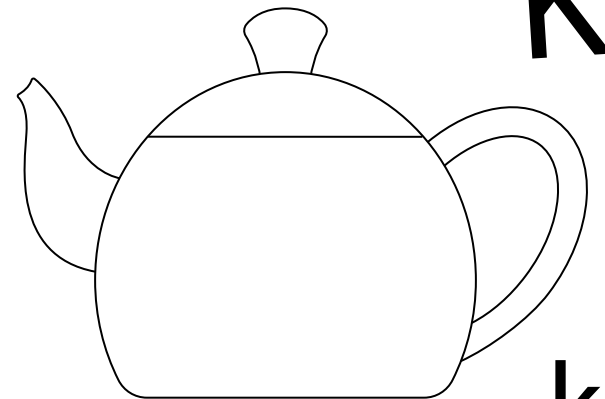
K

k



k

K



K

k