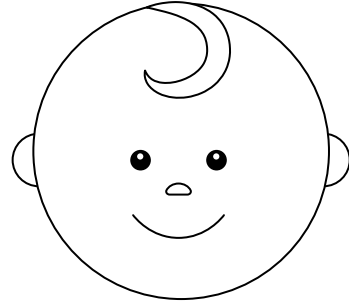
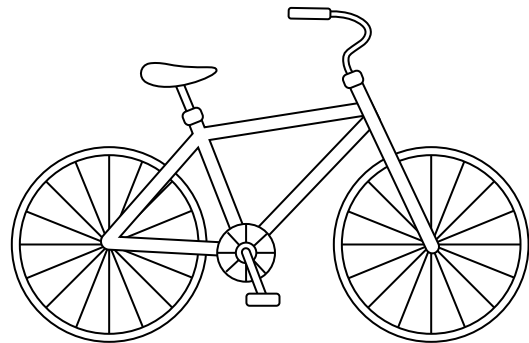


Draw a line connecting each word with its matching picture. Color the pictures.

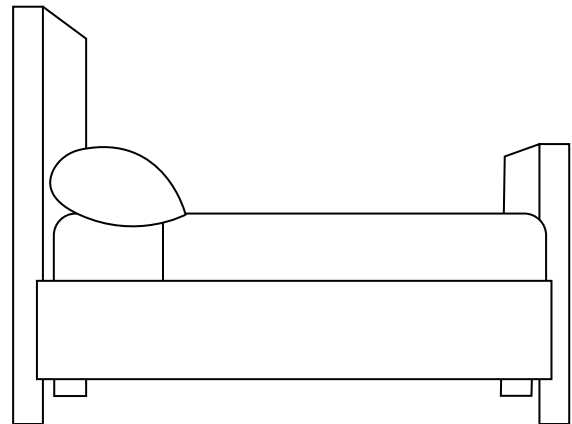
Beach ball



Bed



Bike



Baby

