

Color the pictures and circle all of the letter B's.

B

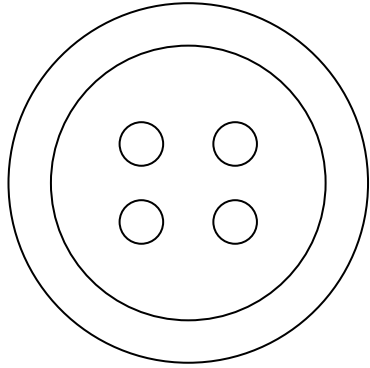
B

b

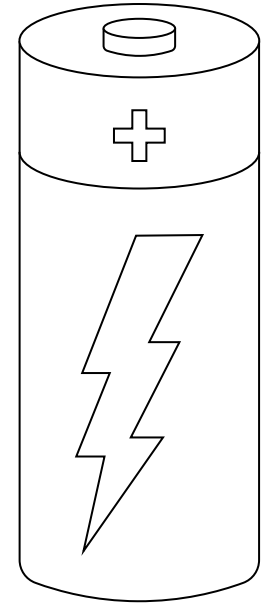
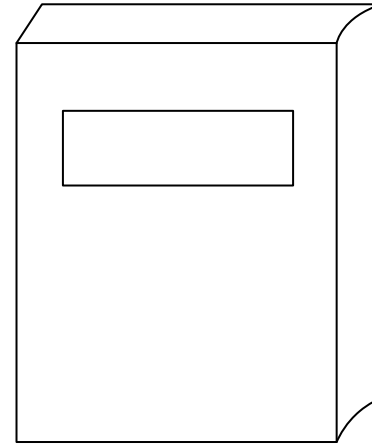
b

B

b



B

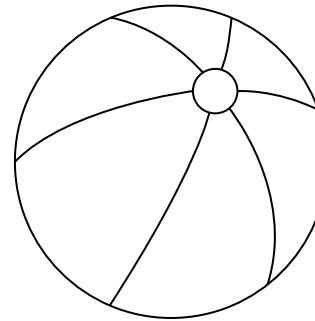
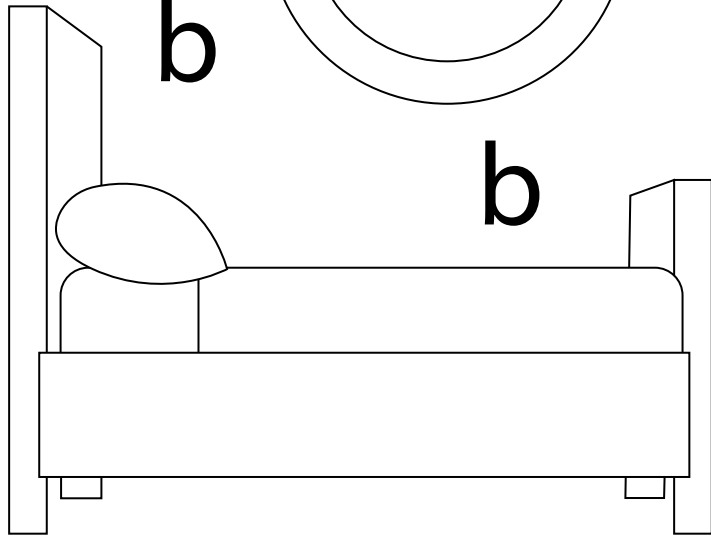


b

b

b

B



b

B

b

B

b

